



16 ports full gigabit Industrial Switch BI808G8F series

❖ Overview

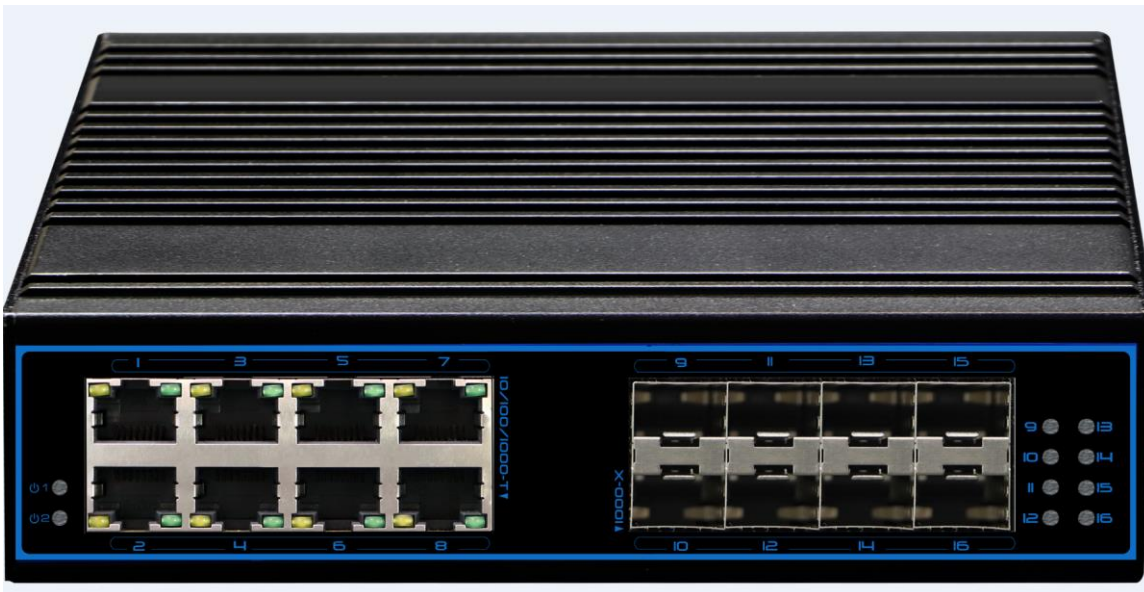
BI808G8F is a 16-port full gigabit industrial switch that supports up to 8*10/100/1000M downlink ports, 8*1000 SFP ports;

It supports L2 management, such as QoS, VLAN, MSTP, Multi-broadcast, ports management.

It supports 6KV surge protection, 8KV contact / 15KV air ESD protection.

It supports wall hanging and desktop installation, reliable and durable, and can be used in security network video monitoring, network engineering and other occasions.

❖ Picture



❖ Features

- ❖ With 8*10/100/1000M downlink ports, 8*1000M SFP ports;
- ❖ with L2 network management;
- ❖ Supports L2 management, such as QoS, VLAN, MSTP, Multi-broadcast, ports management;
- ❖ 6KV surge protection, 8KV contact / 15KV air ESD protection;
- ❖ Supports working temperature - 40°C ~ 75°C.
- ❖ Supports wall hanging and desktop installation, reliable and durable, and can be used in security network video monitoring, network engineering and other occasions.



16 ports full gigabit Industrial Switch BI808G8F series

❖ Specifications

Parameter	Specifications
Power supply	Powered by power adaptor
Range of voltage	DC 12~57V
Consumption	Self-consumption<20W
Downlink ports	Ports 1~8: 10/100/1000Base-T RJ45
Uplink ports	Ports 9~16 1000M SFP ports
Cable and distance	Use cat5e/6,100m max
Switch fabric	32Gbps
Though put	23.8Mpps
Buffer	4M
MAC address table	8K
Indicator	Power: 2 *red ; Uplink 9~16: green LEDs indicate Link/Act Downlink 1~8: On RJ45 green LEDs indicate Link/Act.
Protection	Surge: 6KV, standard: IEC61000-4-5 ESD: 8KV: contact / 15KV: air, standard:IEC61000-4-2
Working temperature	-40°C~75°C
Storage temperature	-40°C~85°C
Humidity	0~95%(No condensation)
Dimension(LxWxH)	165 mmx114 mmx50mm
Material	Metal
Color	Black
Net-weight	500g

L2 Features	Port configuration	Auto-negotiation Flow Control Port Mirror Traffic statistics Static link aggregation LACP
	Link Aggregation	Algorithm based on Source/Destination MAC Algorithm based on Source/Destination IP 8 groups 8 ports per group



16 ports full gigabit Industrial Switch BI808G8F series

L2 Features	MAC Table	Aging Time	
		Static MAC address	
		Dynamic MAC address	
	VLAN	4K Active VLANs	
		4K VID	
		802.1Q Tag VLAN	
		Port VLAN	
		Protocol VLAN	
		MAC VLAN	
		Management VLAN	
		Voice VLAN	
		Q-in-Q	
		Private VLAN	
	GARP/GVRP		
	ACL	64 ACLs	
		L2, L3 e L4	
		Time-based ACL	
	Spanning tree	802.1D Spanning Tree Protocol	
		802.1w Rapid Spanning Tree	
		802.1s Multiple Spanning Tree	
		Loop Guard	
		Root Guard	
		TC-BPDU Guard	
		BPDU Guard	
		BPDU Filter	
	Multicast	256 groups	
		IGMP v1/v2/v3	
		Fast Leave	
		Multicast VLAN	
		Static Multicast	
		Multicast Filter	
		IGMP Statistics	
	MLD Snooping		
PoE management	Support total power consumption		
	Support single port PoE ON/OFF		
	Support port output priority		
QOS	4 priority queues		
	CoS port-based		
	CoS 802.1p-based		
	CoS DSCP-based		
	Scheduling algorithms SP, WRR,		
	Storm Control (Broadcast, Multicast, Bandwidth control per port		



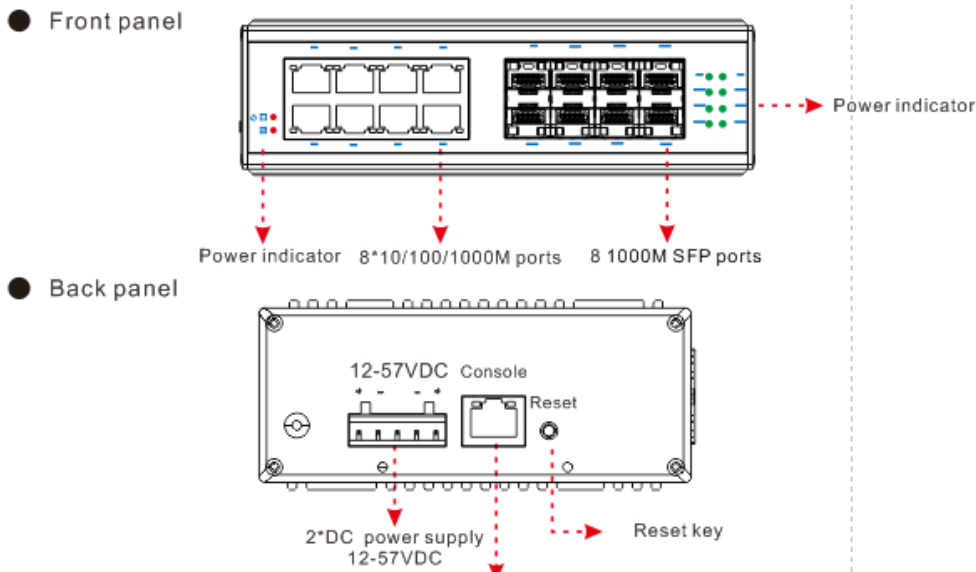
16 ports full gigabit Industrial Switch BI808G8F series

Security Features	Port Security
	MAC address filter
	ARP Association (Manual, ARP scanning, DHCP snooping) up to 200
	ARP Protection
	DoS (Denial of Service)
	Classification of packages based on: End.MAC, IP End, TCP / UDP Ports, 802.1x Authentication (port-based e MAC-based)
	TACACS/TACACS+ Authentication
	RADIUS Authentication
	DHCP Filter
	Guest VLAN
	SSLv2/SSLv3/TLSv1
	SSHv1/SSHv2
	Restriction of WEB access based on: IP Address, And. MAC and Port
	Port Isolation
	Local User Name Password Authentication (2 levels)
Management	Loopback detection
	SNMP v1/v2c/v3
	RMON 4 grupos
	WEB (HTTP/HTTPS)
	CLI (Telnet, Console, SSHv1/v2)
	Firmware upgrade via console/web/TFTP
	Configuration Backup/Reload
	All possible configurations in the CLI must exist in the WEB interface
Other Features	LLDP
	DHCP Relay
	DHCP Client
	DHCP Snooping
	DHCP Option 82
	SNTP Client
Maintenance	BOOTP Client
	Ping and Tracert
	System log (Local and Remote)
	Memory and CPU Monitoring



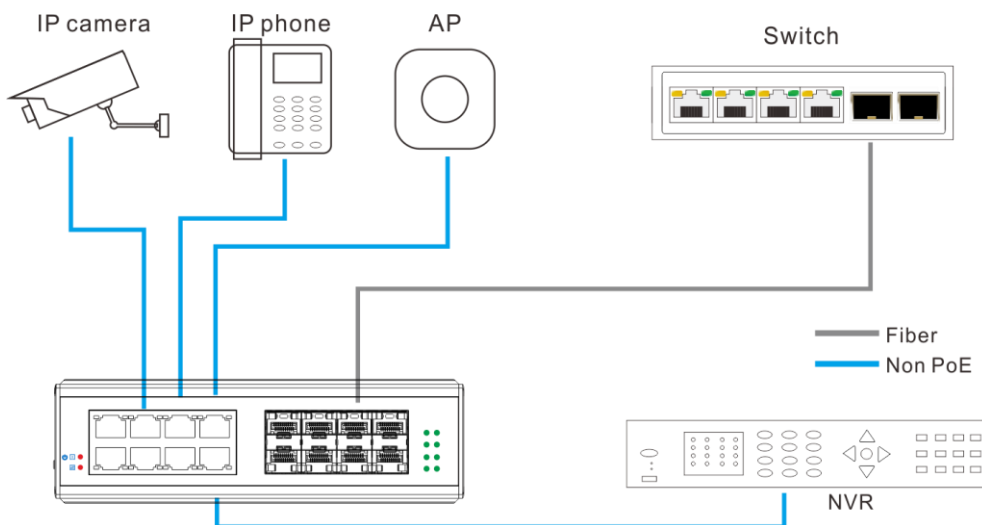
16 ports full gigabit Industrial Switch BI808G8F series

❖ Panel diagram



Attention 1 : This product must be well grounded against lightning, please use better than 20# cable to connect the grounding terminal and ground.

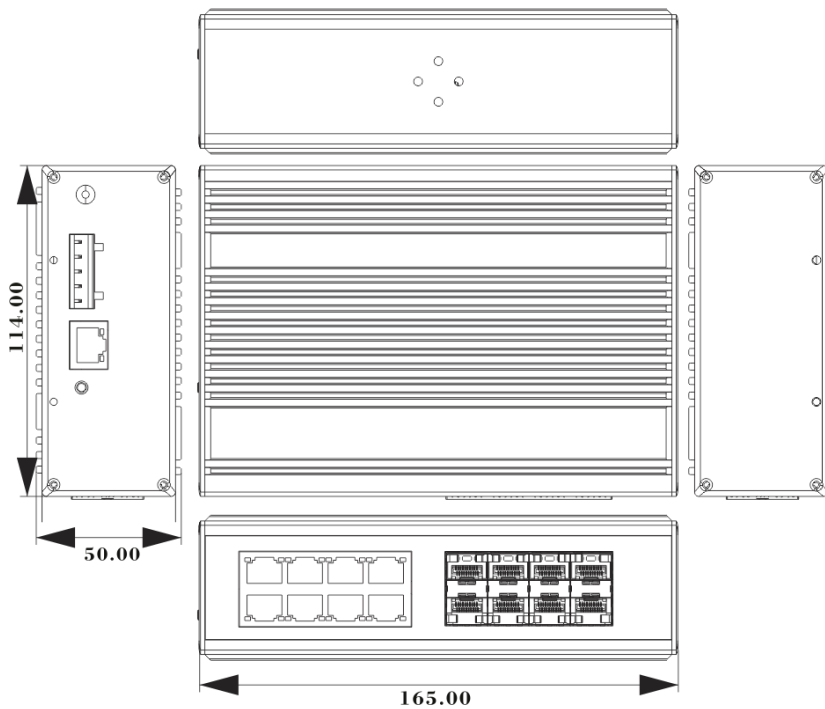
❖ Application





16 ports full gigabit Industrial Switch BI808G8F series

❖ Dimensions



❖ Order information

Model	Description
BI808G8F	8*10/100/1000M ports, 8*1000M SFP ports; Support L2 management, such as QoS, VLAN, MSTP, Multi-broadcast, ports management; 6KV surge protection, 8KV contact /15KV air ESD protection; Supports working temperature - 40°C ~ 75°C;

BORN ELECTRONICS LIMITED

ADDRESS:

#94A
Goldsmith Avenue
London
United Kingdom
Phone: +4479 1989 8604
Email: info@bornelectronics.com

WARRANTY:

2 YEARS (EXPANDABLE UPTO 4 YEARS)

WEBSITE: <http://bornelectronics.com/>